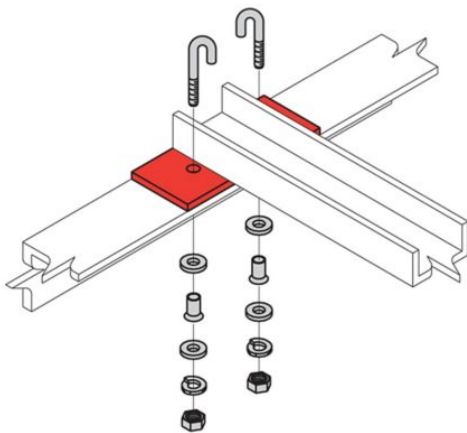


# Eaton SB2531

Catalog Number: SB2531

Eaton auxiliary support kit, Pad - Polyester fiberglass, J-bolt and hardware - Steel, Pad, J-bolts, sleeve kits and 5/16"-18 hardware, Pad - Red, J-Bolts and hardware - Yellow Zinc, 1" x 2" Support channel isolation kit

## General specifications



### Product Name

Eaton auxiliary support kit

### UPC

799038021322

### Product Height

1 in

### Product Weight

0.19 lb

### Catalog Number

SB2531

### Product Length/Depth

2 in

### Product Width

2 in

### Certifications

Not Applicable

## Product specifications

### Color

Red

### Model

1" x 2" support channel isolation kit

### Material

Polyester fiberglass

### Finish

Yellow zinc chromate

## Resources

### Catalogs

[auxillary supports](#)

### Specifications and datasheets

[Eaton Specification Sheet - SB2531](#)



Eaton Corporation plc  
Eaton House  
30 Pembroke Road  
Dublin 4, Ireland  
Eaton.com  
© 2023 Eaton. All Rights Reserved.

Eaton is a registered trademark.

All other trademarks are property of their respective owners.



[Eaton.com/socialmedia](https://www.eaton.com/socialmedia)